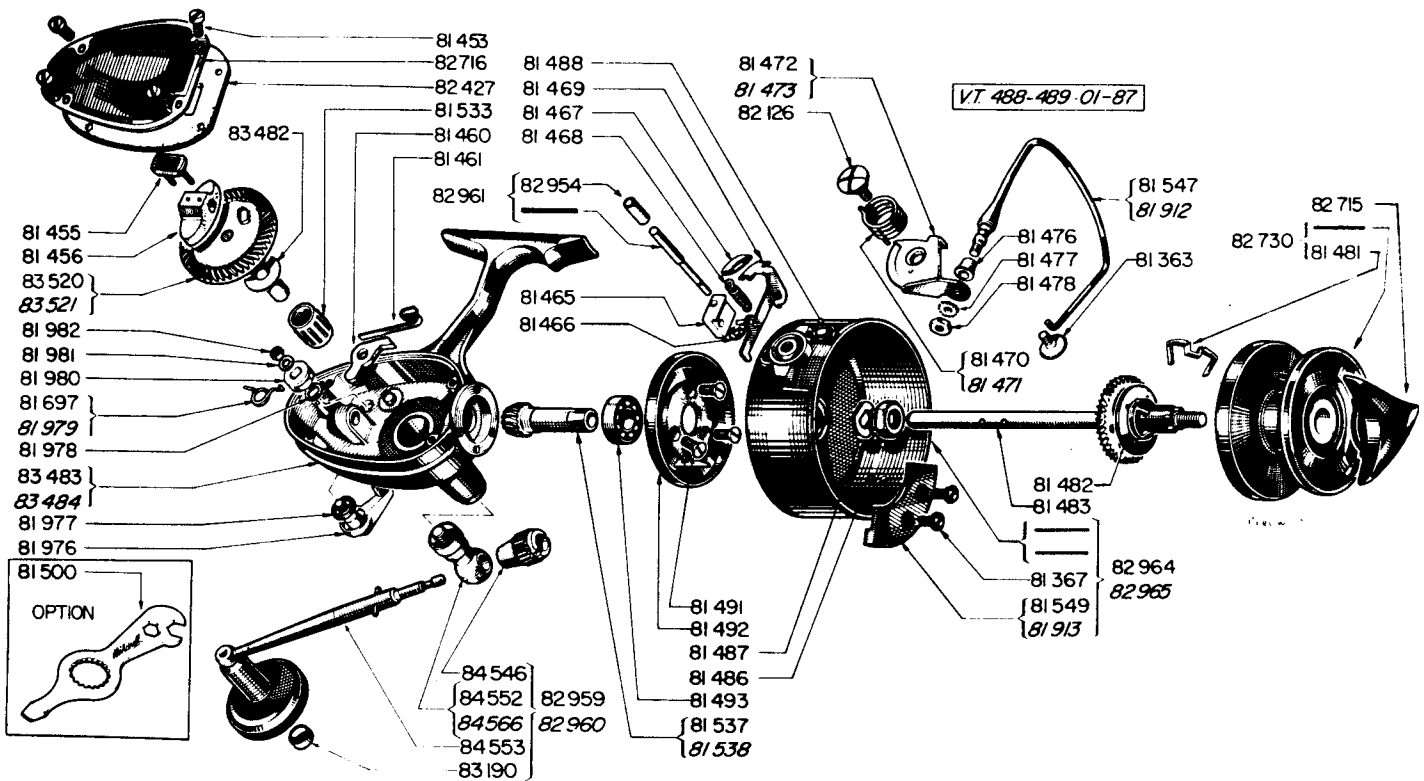


The italicized part numbers are only for the 489.



Part No.	Part Name
81363	BRASS BAIL SCREW N2
81367	BRASS CTRWWT SCREW
81453	BRASS SIDE PLATE SCREW
81455	OSCILLATION SLIDE LOCK
81456	OSCILLATION SLIDE
81460	STEEL ANTI-REVERSE DOG
81461	ANTI-REV. DOG SPRING
81465	BAIL TRIP CAM
81466	BRONZE CAM
81467	ANTI-INERTIA BRAKE
81468	STEEL TRIP LEVER SPRING
81469	STEEL TRIP LEVER
81470	STEEL BAIL SPRING
81471	STEEL BAIL SPRING
81472	BRASS BAIL WIRE MOUNT
81473	BRASS BAIL WIRE MOUNT
81476	BRASS ROLLER LINE GUIDE
81477	BAIL WIRE LOCK WASHER
81478	BAIL WIRE LOCK NUT
81481	STEEL CLICK SPRING
81482	LEATHER DRAG DISC
81483	AXLE WITH RATCHET
81486	BRASS HEX NUT
81487	STEEL KEYED WASHER
81488	BAIL BUMPER
81491	BRASS BRAKE DRUM SCREW
81492	BRAKE DRUM
81493	STEEL BALL BEARING
81500	STEEL UTILITY TOOL
81533	DRIVE GEAR BEARING
81537	BRASS PINION GEAR
81538	BRASS PINION GEAR
81547	STEEL BAIL WIRE

Part No.	Part Name
81549	LEAD COUNTER WEIGHT
81697	CLUTCH CAM SPRING
81912	STEEL BAIL WIRE
81913	LEAD COUNTERWEIGHT
81976	ANTI-REVERSE LEVER
81977	RUBBER O-RING
81978	BRONZE ANTI-REV. WASHER
81979	STEEL ANTI-REV. SPRING
81980	ANTI-REVERSE CAM
81981	ANTI-REV. LOCK WASHER
81982	ANTI-REVERSE LOCK NUT
82126	BRASS BAIL SCREW
82427	FIBRE COVER PLATE SEAL
82715	DRAG ADJUSTING KNOB
82716	ALUM.ALLOY SIDE PLATE
82730	SPOOL—STANDARD ALUM. ALLOY
82954	BAIL TRIP BUSHING
82959	HANDLE COMPLETE
82960	HANDLE COMPLETE
82961	BAIL TRIP & BUSHING
82964	ALUM.ALLOY ROTAT. HEAD
82965	ALUM.ALLOY ROTAT. HEAD
83190	OIL DUST SHIELD
83482	BRASS SHIMS/ADJ. DR. GR.
83483	HOUSING/NEEDLE CASING
83484	HOUSING/NEEDLE CASING
83520	BRONZE RIGHT DRIVE GEAR
83521	BRONZE LEFT DRIVE GEAR
84546	BRASS HANDLE CNTRWT
84552	BRASS HANDLE CORE
84553	HANDLE ARM
84566	BRASS HANDLE CORE